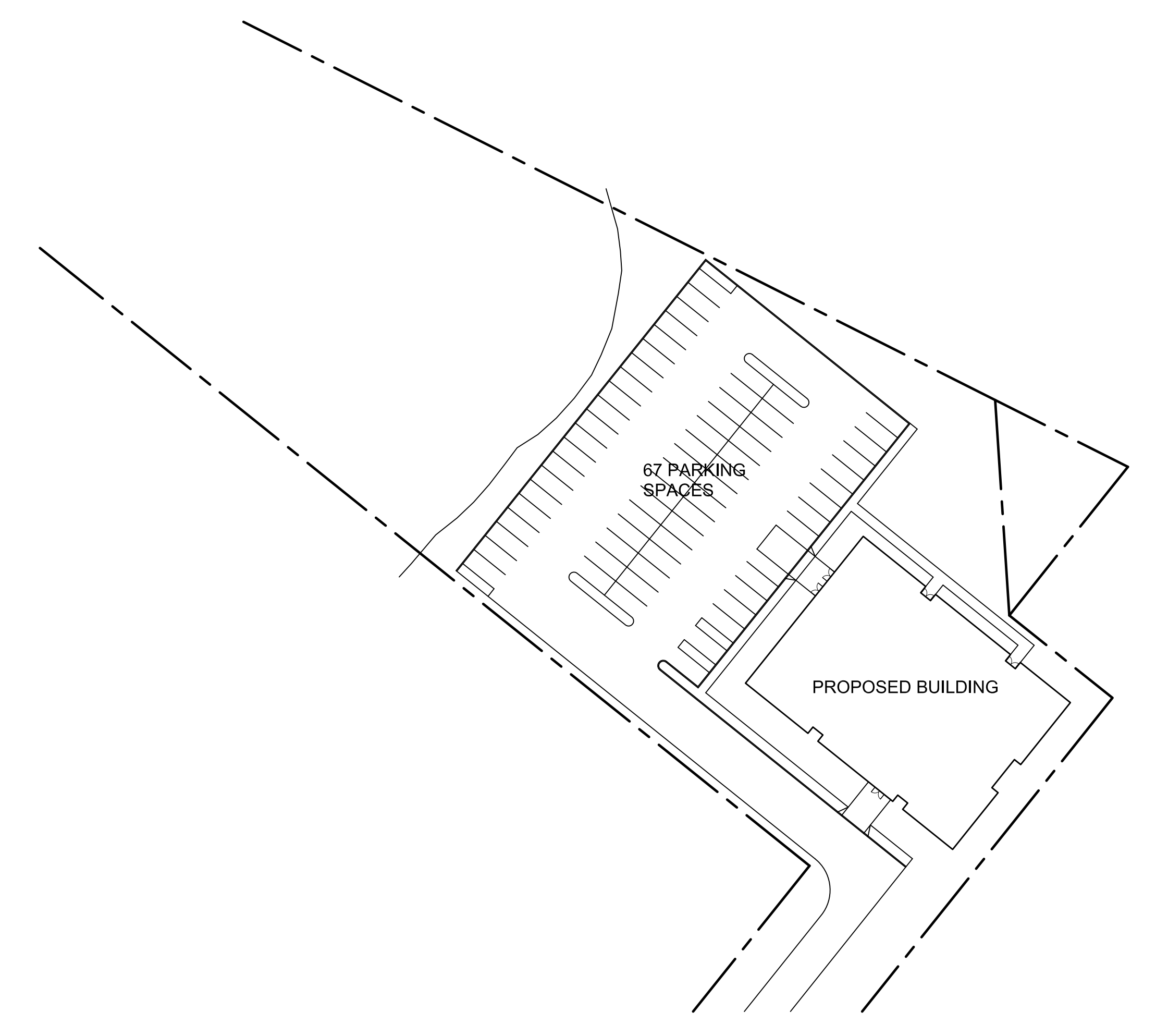
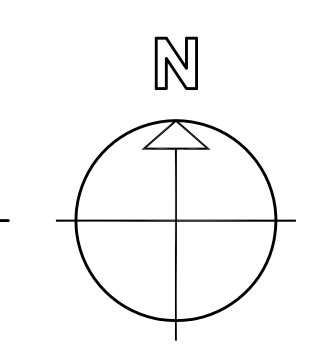
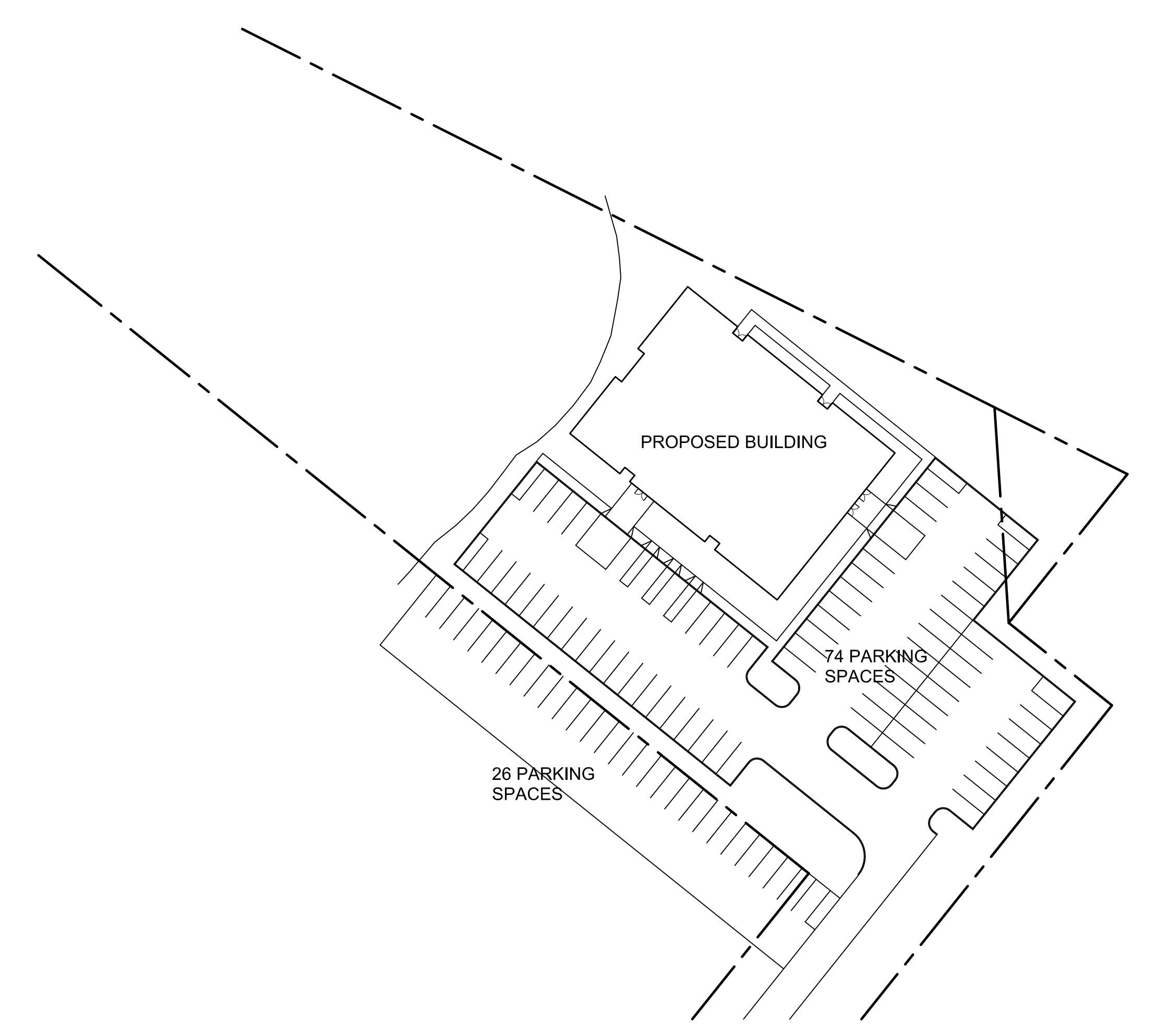
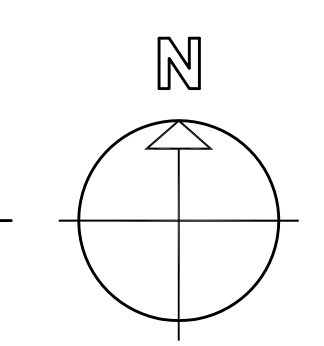


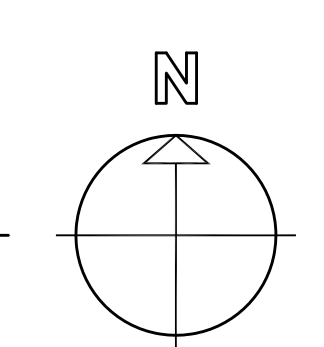
1 SITE LAYOUT CONCEPT PLAN - OPTION 1
SCALE: 1" = 50'



3 SITE LAYOUT CONCEPT PLAN - OPTION 3
SCALE: 1" = 50'



2 SITE LAYOUT CONCEPT PLAN - OPTION 2
SCALE: 1" = 50'



STAMP

REV	DATE	DESCRIPTION

DATE	
SCALE	1" = 50'
DRAWN BY	MTV
CHECKED BY	GKY
PROJECT NO.	17011

BUILDING:
SHEET TITLE:
**SITE LAYOUT
CONCEPT PLANS**

DRAWING NO.