

New London LED (VX0911) Specification Sheet

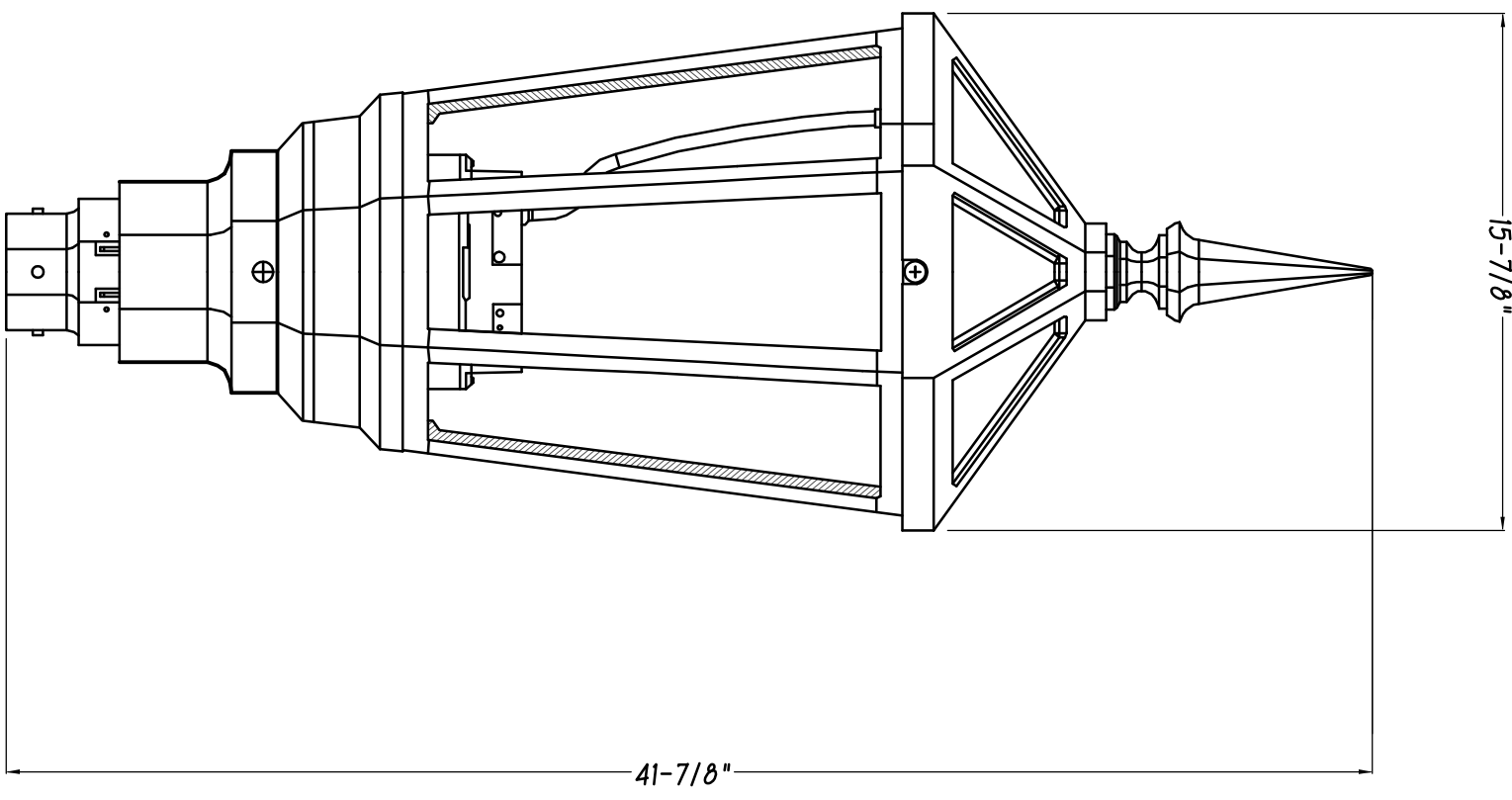
Project Name: _____ Location: _____ Mfg: Philips Haddco
 Fixture Type: _____ Catalog No.: _____ Qty: _____

Ordering Guide

Example: VX0911 32 AC 3 N N A 3 A 5 5

Product Code	New London LED	
LED	32 LED's	#2
	40 LEDs	#2
	64 LED's	#2
	80 LED's	#2
Finish	A Black	
	B White	
	G Verde	
	H Bronze	
	J Green	
PANELS	F Frosted	
	C Clear	
Optics	3 Type III	
	5 Type V	
Photo Control	N None	
	R Twist-lock Receptacle	
	E 120 VAC Button Eye	
	H 200/240/277 VAC Button Eye	
	K 347V Button Eye	
Color	N 4000K	#1
	C 5700K	
Voltage	A 120-277 VAC	
	B 347-480 VAC	#3
Drive Current	3 350 mA	
	5 530 mA	
Dimming Control	A 4 Hrs 25% Reduction	
	B 4 Hrs 50% Reduction	
	C 4 Hrs 75% Reduction	
	D 6 Hrs 25% Reduction	
	E 6 Hrs 50% Reduction	
	F 6 Hrs 75% Reduction	
	G 6 Hrs 25% Reduction	
	H 6 Hrs 50% Reduction	
	J 6 Hrs 75% Reduction	
	Z Custom Dimming Schedule	
Surge Suppression	N None	
	S Standard Built in 3kV	
	A Additional 10kV/10KA	
Options	5 Spikes	

#1 Consult Factory for 5700K
 #2 Only available with 350mA
 #3 Dimming not available with 347-480V



Specifications

APPLICATIONS:

This luminaire is the perfect LED solution for traditional street lighting. Other application locations include: residential streets, city streets, campuses and parking lots. This luminaire offers the style of a traditional lantern with today's cutting edge LEDline technology.

LED SPECIFICATIONS:

Refer to IES files for energy consumption and delivered lumens for each option. Based on in-situ thermal testing and data from Philips Lumileds and Philips Advance fixture can be expected to reach 100,000 hours (at 3,170 lumen maintenance @ 25°C). The Philips LEDLINE uses Philips Lumileds Luxeon R LEDs. Color temperatures available are ANSI Bins 4000K and 5700K CCT (consult factory for 5700K). Two distributions are available including Type 3 and 5.

ELECTRONIC DRIVER:

The driver included is the Philips Advance XTRMINUM LED driver and is available in a 350mA & 530mA drive current. Standard driver offers 0-10V dimming capability and universal voltage input from 120-277VAC or 347-480VAC. Input frequency is 50-60Hz and all XTRMINUM drivers are RoHS compliant. The driver has 3kV surge suppression built in, and the 10kV/10kA is included in an additional option. Programmable dimming 0-10V is optional.

ISO 9001:2008 Registered

PHILIPS
HADCO

Note: Philips reserves the right to modify the above details to reflect changes in the cost of materials and/or production and/or design without prior notice.
 100 Craftway Drive, Littlestown, PA 17340 | P: +1-717-359-7191 | F: +1-717-359-9299 | <http://www.hadco.com/> | Copyright 2013 Philips
 HMI

Page 1 of 2

New London LED (VX0911) Specification Sheet

Project Name: _____ Location: _____ Mfg: Philips Haddco
 Fixture Type: _____ Catalog No.: _____ Qty: _____

HOUSING:

Hinged roof with stainless steel thumb screw. Optional cast aluminum spikes available. 360 low-copper die-cast aluminum alloy. All non-ferrous fasteners prevent corrosion and ensure longer life. Slip Filter Dimensions: 3" ID, x 3" deep.

PANELS:

Two panel options. Clear panels are made from a sheet of UV Stabilized material. Frosted Panels are made from a sheet of UV, Stabilized injection molded. Panels are attached with a clip and can easily be removed for cleaning.

FINISH:

Thermoseal polyester powdercoat is electrostatically applied after a five-stage conversion cleaning process and bonded by heat fusion thermosetting. Laboratory tested for superior weatherability and fade resistance in accordance with ASTM B117 specifications. For larger projects where a custom color is required, contact the factory for more information.

CONTROLS:

Wireless dimming options are also available, contact the factory for details. There are 9 standard factory set dimming schedules available. See specification sheet for details. A custom dimming schedule is available by contacting the factory. Built in dydimmer does not allow for dimming override features.

CERTIFICATIONS:

ETL Listed to U.S. safety standards for wet locations. cETL Listed to Canadian safety standards for wet locations. Manufactured to ISO 9001:2008 Standards. Luminaire photometric testing performed in accordance with IESNA LM-79 guidelines. Photometric files files that include "LM79" in the file name are verified by an independent NALAP accredited lab. LEDs tested by an ISO 17025-2005 accredited lab in accordance with IESNA LM-80 guidelines in compliance with EPA ENERGY STAR, extrapolations in accordance with IESNA TM-21. RoHS compliant LEDs and LED drivers.

WARRANTY:

5 year extended warranty

OPTIONS:

Optional integral surge suppression device tested in accordance with ANSI/IEEE C62.45 per ANSI/IEEE C62.41.2 Scenario 1 Category C High Exposure 10kV/10KA waveforms for Line-Ground, Line-Neutral and Neutral-Ground. Enclosure for surge suppression device is constructed of high temperature, flameproof material with an 85°C maximum surface temperature rating. The device consists of a thermally protected transient overvoltage circuit and is designed for use with universal voltage ballasts and drivers.

AWARDS & RECOGNITIONS:

Buy American and AERX Compliant - commercially available off-the-shelf (COTS) product proudly designed and Made in the U.S.A.

Height :

with spikes 42" (107cm)

Width:

with spikes 17 1/2" (44.5cm)

Height :

without spikes 42" (107cm)

Width:

without spikes 15 3/4" (40cm)

Max. EPA:

2.7 sq.

Max. Weight:

36.5 lbs.

ISO 9001:2008 Registered

PHILIPS
HADCO

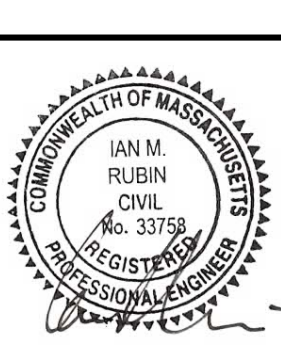
Note: Philips reserves the right to modify the above details to reflect changes in the cost of materials and/or production and/or design without prior notice.
 100 Craftway Drive, Littlestown, PA 17340 | P: +1-717-359-7191 | F: +1-717-359-9299 | <http://www.hadco.com/> | Copyright 2013 Philips
 HMI

Page 2 of 2

#	DATE	REVISION	COMMENT

DATE: 2/21/14

COPYRIGHT 2013, MARKEY & RUBIN INC.



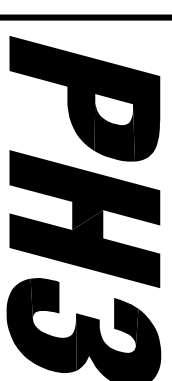
2-21-14

LIGHTING AND PHOTOMETRIC PLANS
 NEW ENGLAND SHIRDI SAI PARIVAAR TEMPLE
 BOSTON ROAD
 GOTON, MASSACHUSETTS

CLIENT:
NESSP, INC.
 290 LITTLETON ROAD, UNIT 4
 CHELMSFORD, MASSACHUSETTS

360 MASSACHUSETTS AVE, SUITE 202
 ACTON, MASSACHUSETTS 01720
 P(978) 264-4600 F(978) 263-0447
www.MarkeyAndRubin.com

Markey & Rubin
 CIVIL ENGINEERING



SHEET 14 OF 17

JOB# 5041